

PARTS MANUAL

**E45XN, E50XN, E55XN, E60XN,
E65XN, E70XN
(A268)**

CUSTOMER EDITION

HYSTER

SECTIONS

1	FRAME
2	ELECTRICAL SYSTEM
3	DRIVE UNIT
4	STEERING SYSTEM
5	BRAKE/ACCELERATOR SYSTEM
6	HYDRAULIC SYSTEM
7	MAST-TWO STAGE LIMITED FREE-LIFT
8	MAST-THREE STAGE FULL FREE-LIFT
9	MAST-TWO STAGE FULL FREE-LIFT
10	MAST-FOUR STAGE FULL FREE-LIFT
11	OPTIONS
12	FIELD CONVERSION KITS
13	NUMERICAL INDEX

This Parts Manual is divided into 13 major sections which are listed above. Quick reference to these sections can be made by placing the right thumb on the tab of the desired section, bending the book back and thumbing the pages to the corresponding tab.

**Thanks very much for your reading,
Want to get more information,
Please click here, Then get the complete
manual**

JustClickHere 

NOTE:

**If there is no response to click on the link above,
please download the PDF document first, and then
click on it.**

**Have any questions please write to me:
admin@servicemanualperfect.com**

TABLE OF CONTENTS

DESCRIPTION	PAGE
A	
ACCELERATOR PEDAL	12-2
ACCELERATOR PEDAL ASSEMBLY	
MONOTROL	5-3
STANDARD	5-2
ACCUMULATOR	11-68
ADD ON OPTION KITS	
ADD ON TELEMETRY KITS	12-3
ADD-ON OPTION KITS	12-3
ARMREST SLIDER ASSEMBLY	
→ 9/2010	1-30
9/2010 →	1-32
AUXILIARY KEY SWITCH	2-40
AUXILIARY QUICK DISCONNECT MANIFOLD AND HOSES	
THREE STAGE FULL FREE-LIFT (F508/F563 SERIES MAST (DUAL AUXILIARY WITH E-HYDRAULICS)) - THREE AND FOUR FUNCTION	11-54
THREE STAGE FULL FREE-LIFT (F508/F563 SERIES MAST (SINGLE AUXILIARY WITH E-HYDRAULICS)) - THREE FUNCTION	11-50
THREE STAGE FULL FREE-LIFT (F508/F563 SERIES MAST (SINGLE AUXILIARY WITH INTEGRAL SIDE-SHIFT AND E-HYDRAULICS)) - FOUR FUNCTION	11-52
TWO STAGE LIMITED FREE-LIFT (F507/F562 SERIES MAST) (SINGLE AUXILIARY WITH E-HYDRAULIC) - THREE FUNCTION	11-44
TWO STAGE LIMITED FREE-LIFT (F507/F563 SERIES MAST) (SINGLE AUXILIARY WITH INTEGRAL SIDE-SHIFT AND E-HYDRAULICS) - FOUR FUNCTION	11-46
TWO STAGE LIMITED FREE-LIFT (F507/F563 SERIES MAST) (WITH DUAL AUXILIARY WITH E-HYDRAULICS) - THREE AND FOUR FUNCTION	11-48
AUXILIARY TUBE EXTENSION KIT	
AUXILIARY TUBE EXTENSION KITS	
AUXILIARY TUBE EXTENSIONS	
FOUR STAGE FULL FREE-LIFT (→ S/N D515V05514H)	11-30
FOUR STAGE FULL FREE-LIFT (S/N D515V05515H →)	11-32
FOUR STAGE FULL FREE-LIFT - E-HYDRAULICS WITH QUICK DISCONNECT FITTINGS	11-34
TWO AND THREE STAGE FULL FREE-LIFT (→ S/N D508V27242H) (→ S/N D509V02103H) (→ S/N D563V11350H) (→ S/N D564V02121H)	11-20
TWO AND THREE STAGE FULL FREE-LIFT (S/N D508V27243H →) (S/N D563V11351H →) (S/N D509V02104H →) (S/N D564V02122H →)	11-24
TWO AND THREE STAGE FULL FREE-LIFT - E-HYDRAULICS WITH QUICK DISCONNECT FITTINGS (S/N D508V27243H →) (S/N D563V11351H →) (S/N D509V02104H →) (S/N D564V02122H →)	11-26
TWO STAGE LIMITED FREE-LIFT (→ S/N D507V02972H) (→ S/N D562V02053H)	11-6
TWO STAGE LIMITED FREE-LIFT - WITHOUT QUICK DISCONNECT FITTINGS (S/N D507V02973H →) (S/N D562V02054H →)	11-8
TWO STAGE LIMITED FREE-LIFT - MANUAL HYDRAULICS WITH QUICK DISCONNECT FITTINGS (→ S/N D507V02972H) (→ S/N D562V02053H)	11-10
TWO STAGE LIMITED FREE-LIFT - E-HYDRAULICS WITH QUICK DISCONNECT FITTINGS (S/N D507V02973H →) (S/N D562V02054H →)	11-12
TWO STAGE LIMITED FREE-LIFT - WITH ISS CARRIAGE AND WITHOUT QUICK DISCONNECT FITTINGS (S/N D507V02973H →) (S/N D562V02054H →)	11-14

TABLE OF CONTENTS (continued)

DESCRIPTION	PAGE
TWO STAGE LIMITED FREE-LIFT - WITH ISS CARRIAGE AND MANUAL HYDRAULICS WITH QUICK DISCONNECT FITTINGS (S/N D507V02973H →) (S/N D562V02054H →)	11-16
TWO STAGE LIMITED FREE-LIFT - WITH ISS CARRIAGE AND E-HYDRAULICS WITH QUICK DISCONNECT FITTINGS (S/N D507V02973H →) (S/N D562V02054H →)	11-18
AUXILIARY TUBES	
THREE STAGE FULL FREE-LIFT (F508/F563 SERIES MAST) - MANUAL AND E-HYDRAULICS VALVE WITH QUICK DISCONNECT	11-38
THREE STAGE FULL FREE-LIFT (F508/F563 SERIES MAST) - MANUAL AND E-HYDRAULICS VALVE WITHOUT QUICK DISCONNECT	11-42
TWO STAGE LIMITED FREE LIFT (F507/F562 SERIES MAST - WITH MANUAL AND E-HYDRAULICS VALVE WITHOUT QUICK DISCONNECT	11-36
TWO STAGE LIMITED FREE LIFT (F507/F562 SERIES MAST - MANUAL AND E-HYDRAULIC VALVE WITH QUICK DISCONNECT	11-40
B	
BACK-UP ALARM	11-66
BATTERY CONNECTOR AND CABLE ASSEMBLY	
WITH RAPID CHARGE OPTION (→ S/N A268N08622K)	2-30
WITH RAPID CHARGE OPTION (S/N A268N08623K →)	2-32
WITHOUT RAPID CHARGE OPTION	2-27
BATTERY REMOVAL OPTIONS	
BATTERY SPACERS	1-62
BRAKE ASSEMBLY	5-4
BRAKE MASTER CYLINDER ASSEMBLY	5-8
BRAKE PEDAL LINKAGE	5-6
C	
CARRIAGE	
FOUR STAGE FULL FREE-LIFT	10-22
HEAVY DUTY - THREE STAGE FULL FREE-LIFT (D508/D563)	8-32
HEAVY DUTY - TWO STAGE FULL FREE-LIFT	9-46
HEAVY DUTY - FOUR STAGE FULL FREE-LIFT	10-24
THREE STAGE FULL FREE-LIFT - D508/D563	8-30
THREE STAGE FULL FREE-LIFT - F508/F563	8-72
TWO STAGE FULL FREE-LIFT	9-44
TWO STAGE LIMITED FREE-LIFT - D507/D562	7-14
TWO STAGE LIMITED FREE-LIFT - F507-F562	7-38
CONTACTOR	
UL-E	2-22
UL-EE	2-24
CONTACTOR ASSEMBLY	
→ S/N A268N08622K	2-18
S/N A268N08623K →	2-20
CONTROL PANEL	
→ S/N A268N08622K	2-10
S/N A268N08623K ↔ 11/2014	2-14
11/2014 →	2-16
CONVERSION KIT	
COUNTERWEIGHT	1-2

TABLE OF CONTENTS (continued)

DESCRIPTION	PAGE
COUNTERWEIGHT COVER WITH RAPID CHARGE OPTION	1-3
D	
DASH AND STEERING COLUMN COVERS	
FIXED COLUMN	1-44
TELESCOPIC COLUMN	1-46
DC TO DC CONVERTER KITS	12-4
DC-DC CONVERTER AND ATTACHING PARTS	11-64
DIFFERENTIAL	3-10
DISPLAY	
LOW MOUNT	2-46
LOW MOUNT	11-4
DISPLAY GROUP AND HARNESS	2-44
DOME LIGHT	11-62
DRIVE AXLE AND HOUSING	3-4
DRIVE AXLE HUB	3-8
DRIVE AXLE MOUNTING	3-2
WITH SPACER - FOUR STAGE FULL FREE-LIFT	3-3
DRIVE TIRES AND WHEELS	
LUG TREAD - NARROW	3-18
LUG TREAD - WIDE	3-20
SMOOTH TREAD - NARROW	3-14
SMOOTH TREAD - WIDE	3-16
E	
ELECTRICAL SYSTEM	
→ 10/2013	2-4
10/2013 →	2-6
F	
FENDER	1-64
FIRE EXTINGUISHER	
→ 11/2014	11-108
11/2014 →	11-109
WITH DRIVE-IN RACK OVERHEAD GUARD (11/2014 →)	11-110
FIRE EXTINGUISHER KIT	12-4
FLOORPLATES AND COVERS	1-40
FORK POSITIONER ASSEMBLY	11-96
FORKS	1-68
OPTIONAL	1-70
FORKS WITH LEVER	
OPTIONAL	1-72
FREE-LIFT	
FOUR STAGE FULL FREE-LIFT	10-16
THREE STAGE FULL FREE-LIFT - D508/D563	8-22
TWO STAGE FULL FREE- LIFT - E509-E564	9-34
TWO STAGE FULL FREE-LIFT - D509-D564	9-12
FREE-LIFT CYLINDER	
THREE STAGE FULL FREE-LIFT - F508-F563	8-60

TABLE OF CONTENTS (continued)

DESCRIPTION	PAGE
TWO STAGE FULL FREE- LIFT - E509-E564	9-37
FREE-LIFT CYLINDER AND ATTACHING PARTS	
THREE STAGE FULL FREE-LIFT - F508-F563	8-56
FREE-LIFT CYLINDERS	
FOUR STAGE FULL FREE-LIFT	10-19
THREE STAGE FULL FREE-LIFT - D508/D563	8-26
TWO STAGE FULL FREE-LIFT - D509-D564	9-16
FRONT WORKLIGHT MOUNTING	
OVERHEAD GUARD WITH DRIVE-THRU RACK	11-72
FULL SUSPENSION SEAT	
MANUAL AND ELECTRO-HYDRAULIC — SWIVEL AND NON SWIVEL - SHEET 1 OF 4	1-22
RECLINER AND DAMPER KITS - SHEET 2 OF 4	1-24
SERVICE KITS FOR NON SWIVEL AND SWIVEL - SHEET 3 OF 4	1-26
G	
GATE AND BATTERY ROLLER WITH BATTERY SPACER	
→ S/N A268N09901L	1-48
27 INCH (S/N A268N09902L →)	1-52
30 INCH (S/N A268N09902L →)	1-54
33 INCH (S/N A268N09902L →)	1-56
36 INCH (S/N A268N09902L →)	1-58
40 INCH (S/N A268N09902L →)	1-60
H	
HEADER HOSE	
FOUR STAGE FULL FREE-LIFT (→ 12/2009)	10-26
FOUR STAGE FULL FREE-LIFT - WITH HOSE CHANNELS (12/2009 →)	10-30
THREE STAGE FULL FREE-LIFT - D508/D563 (→ S/N D563V11658H) (→ S/N D508V27872H)	8-34
THREE STAGE FULL FREE-LIFT - D508/D563 (S/N D563V11659H →) (S/N D508V27873H →)	8-38
TWO STAGE FULL FREE-LIFT - D509-D564	9-20
TWO STAGE LIMITED FREE-LIFT - D507/D562	7-16
HEADER HOSE AND ATTACHING PARTS	
TWO STAGE LIMITED FREE-LIFT - F507-F562 (→ 11/2014)	7-30
TWO STAGE LIMITED FREE-LIFT - F507-F562 (11/2014 →)	7-34
HEADER HOSE CONVERSION KITS	
HEADER HOSE CONVERSION KITS FOUR STAGE FULL FREE-LIFT	12-17
HEADER HOSES	
TWO STAGE FULL FREE-LIFT - E509-E564	9-40
HEADER HOSES AND ATTACHING PARTS	
THREE STAGE FULL FREE-LIFT - F508/F563 (→ 11/2014)	8-64
THREE STAGE FULL FREE-LIFT - F508/F563 (11/2014 →)	8-68
HOOD	1-34
HOSE CHANNELS	
HEADER HOSE - FOUR STAGE FULL FREE-LIFT (12/2009 →)	10-34
HYDRAULIC CONTROL VALVE	
ELECTRONIC - THREE AND FOUR FUNCTION	6-50
MANUAL - THREE AND FOUR FUNCTION	6-42
HYDRAULIC FILTER HOUSING	6-12

TABLE OF CONTENTS (continued)

DESCRIPTION	PAGE
HYDRAULIC HOSES	
HOIST, TILT AND AUXILIARY	6-10
STEERING	6-8
HYDRAULIC PUMP	6-18
19 CC	6-20
HYDRAULIC PUMP AND MOTOR ASSEMBLY	
36/48 VOLT	6-14
72/80 VOLT	6-16
HYDRAULIC SUPPLY AND RETURN	6-2
WITH METAL HYDRAULIC TANK	6-6
HYDRAULIC VALVE ASSEMBLY	
ELECTRONIC - THREE AND FOUR FUNCTION	6-48
MANUAL - THREE AND FOUR FUNCTION	6-40
HYDRAULIC VALVE CONVERSION KIT	12-6
I	
IMPACT SENSOR	11-60
INNER MAST	
FOUR STAGE FULL FREE-LIFT	10-8
THREE STAGE FULL FREE-LIFT - F508-F563	8-48
THREE STAGE FULL FREE-LIFT - D508/D563	8-8
TWO STAGE FULL FREE- LIFT - E509-E564	9-26
TWO STAGE FULL FREE-LIFT - D509-D564	9-4
TWO STAGE LIMITED FREE LIFT - F507-F562	7-22
TWO STAGE LIMITED FREE-LIFT - D507/D562	7-4
INTEGRAL SIDE-SHIFT	
FORK POSITIONER - THREE STAGE FULL FREE-LIFT (D508/D563)	11-88
FORK POSITIONER - TWO STAGE FULL FREE-LIFT (E509/E564)	11-94
FORK POSITIONER (F507-F562) - TWO STAGE LIMITED FREE-LIFT	11-90
FORK POSITIONER (F508-F563) - THREE STAGE FULL FREE-LIFT	11-92
HYDRAULIC HOSES - TWO STAGE LIMITED FREE-LIFT (D507, D562)	11-99
HYDRAULIC HOSES - THREE STAGE FULL FREE-LIFT (D508/D563)	11-100
HYDRAULIC HOSES - TWO STAGE FULL FREE-LIFT	11-101
INTEGRAL SIDE-SHIFT ASSEMBLY	
THREE STAGE FULL FREE-LIFT - F508/F563	11-86
INTEGRAL SIDE-SHIFT CARRIAGE	
THREE STAGE FULL FREE LIFT - D508/D563	11-84
TWO AND FOUR STAGE FULL FREE-LIFT	11-80
INTEGRAL SIDE-SHIFT CARRIAGE ASSEMBLY	
TWO STAGE LIMITED FREE LIFT - D507/D562	11-76
TWO STAGE LIMITED FREE-LIFT - F507/F562	11-78
INTEGRAL SIDE-SHIFT CYLINDER	11-98
INTEGRAL SIDE-SHIFT HYDRAULIC HOSE	
FOUR STAGE FULL FREE-LIFT	11-102
INTEGRAL SIDE-SHIFT HYDRAULIC HOSES	
THREE STAGE FULL FREE LIFT - F508/F563	11-104
TWO STAGE LIMITED FREE-LIFT - F507/F562	11-103
INTERMEDIATE 2 MAST	
FOUR STAGE FULL FREE-LIFT	10-4

TABLE OF CONTENTS (continued)

DESCRIPTION	PAGE
INTERMEDIATE 3 MAST	
FOUR STAGE FULL FREE-LIFT	10-6
INTERMEDIATE MAST	
THREE STAGE FULL FREE-LIFT - F508-F563	8-46
THREE STAGE FULL FREE-LIFT - D508/D563	8-4
L	
LABELS	
EXTERIOR	1-74
HYDRAULIC CONTROL FUNCTIONS	1-78
INTERIOR	1-76
LIGHTS	
INBOARD REAR LIGHTS	2-56
WITH DRIVE-THRU RACK OVERHEAD GUARD	2-52
WITH STANDARD OVERHEAD GUARD	2-48
LOAD BACKREST EXTENSION	1-66
M	
MAIN CYLINDER	
LEFT HAND - THREE STAGE FULL FREE-LIFT (D508/D563)	8-14
RIGHT HAND - THREE STAGE FULL FREE-LIFT (D508/D563)	8-18
MAIN LIFT	
FOUR STAGE FULL FREE-LIFT	10-10
THREE STAGE FULL FREE-LIFT - D508/D563	8-10
TWO STAGE FULL FREE- LIFT - E509-E564	9-28
TWO STAGE FULL FREE-LIFT - D509-D564	9-6
TWO STAGE LIMITED FREE LIFT - F507-F562	7-24
TWO STAGE LIMITED FREE-LIFT - D507/D562	7-6
MAIN LIFT CYLINDER	
LEFT HAND - TWO STAGE FULL FREE-LIFT (D509-D564)	9-10
LEFT HAND - FOUR STAGE FULL FREE-LIFT	10-12
RIGHT HAND - TWO STAGE FULL FREE-LIFT (D509-D564)	9-8
RIGHT HAND - FOUR STAGE FULL FREE-LIFT	10-14
THREE STAGE FULL FREE-LIFT - F508-F563	8-52
TWO STAGE LIMITED FREE LIFT - F507-F562	7-26
MAIN LIFT CYLINDER - LH	
TWO STAGE FULL FREE- LIFT - E509-E564	9-32
MAIN LIFT CYLINDER - RH	
TWO STAGE FULL FREE- LIFT - E509-E564	9-30
MAIN LIFT CYLINDER AND ATTACHING PARTS	
THREE STAGE FULL FREE-LIFT - F508-F563	8-50
MAIN LIFT CYLINDERS	
TWO STAGE LIMITED FREE-LIFT - D507/D562	7-10
MANUAL CONTROL LEVERS	
→ S/N A268N02928H	6-28
FOUR FUNCTION (S/N A268N02929H →)	6-36
THREE FUNCTION (S/N A268N02929H →)	6-32
MANUAL LEVER KITS	
MINI LEVER CONVERSION KIT	12-6

TABLE OF CONTENTS (continued)

DESCRIPTION	PAGE
MINI-LEVER CONTROLS	
3 FUNCTION	2-62
4 FUNCTION	2-66
MIRROR	
PANORAMIC	11-58
MIRROR CONVERSION KITS	12-5
MIRRORS	11-56
WITH DRIVE-THRU RACK OVERHEAD GUARD	11-57
MISCELLANEOUS KITS	12-5
N	
NON SUSPENSION SEAT	
WITHOUT ELECTRONIC CONTROLS - WITH BOLT IN SENSOR	1-16
WITHOUT ELECTRONIC CONTROLS - WITH SNAP IN SENSOR	1-18
WITHOUT ELECTRONIC CONTROLS - OPTIONAL	1-20
O	
OPERATOR MODULE	1-38
OUTER MAST	
FOUR STAGE FULL FREE-LIFT	10-2
THREE STAGE FULL FREE LIFT - F508-F563	8-42
THREE STAGE FULL FREE-LIFT - D508/D563	8-2
TWO STAGE FULL FREE LIFT - E509-E564	9-24
TWO STAGE FULL FREE-LIFT - D509-D564	9-2
TWO STAGE LIMITED FREE-LIFT - D507/D562	7-2
TWO STAGE LIMITED FREE-LIFT - F507-F562	7-20
OVERHEAD GUARD	
→ 11/2014	1-4
11/2014 →	1-6
DRIVE-IN RACK (→ 10/2010)	1-12
DRIVE-IN RACK (10/2010 →)	1-14
FLAT (→ 11/2014)	1-8
FLAT (11/2014 →)	1-10
P	
PARK BRAKE	
AUTOMATIC	5-12
MANUAL	5-10
PARK BRAKE KIT	12-5
POWER CABLES	
→ 11/2014	2-34
11/2014 →	2-38
PUMP MOTOR	
36/48 VOLT	6-22
72/80 VOLT - ENHANCED PERFORMANCE	6-24
R	
REAR DRIVE HANDLE	11-59
REAR DRIVE HANDLE KITS	12-6

TABLE OF CONTENTS (continued)

DESCRIPTION	PAGE
REAR WORK AND TAIL LIGHT MOUNTING DRIVE-THRU OVERHEAD GUARD	11-74
S	
SEAT ATTACHING PARTS NOT INCLUDED WITH SEAT - SHEET 4 OF 4	1-28
STEER TIRES AND WHEELS MONARCH - SMOOTH TREAD	4-24
MONARCH - LUG TREAD	4-26
TRELLEBORG - SMOOTH TREAD	4-25
TRELLEBORG - LUG TREAD	4-27
STEERING ACCUMULATOR → 11/2014	4-16
STEERING AXLE WITH SENSOR	4-20
WITHOUT SENSOR	4-18
STEERING COLUMN ASSEMBLY FIXED (→ 10/2013)	4-6
FIXED (10/2013 →)	4-8
TELESCOPIC (→ 10/2013)	4-10
TELESCOPIC (10/2013 →)	4-11
STEERING CYLINDER	4-23
STEERING HAND PUMP ASSEMBLY → 11/2014	4-12
11/2014 →	4-14
STEERING WHEEL AND COLUMN FIXED	4-2
TELESCOPIC	4-4
T	
TAIL LIGHT MOUNTING OVERHEAD GUARD WITH DRIVE THRU RACK	11-70
TILT CYLINDER AND MAST INSTALLATION	6-56
TILT CYLINDERS E45-55XN	6-58
E60-70XN	6-60
TILT SENSOR GROUP TWO AND THREE STAGE	2-42
TRACTION MOTOR	3-12
TRACTION SPEED LIMITER STANDARD AND INTEGRAL SIDE-SHIFT CARRIAGES	2-70
TURN SIGNAL	2-59
TURN SIGNAL SWITCH	2-60
V	
VALVE ASSEMBLY INLET SECTION - MANUAL AND ELECTRONIC	6-54
VALVE ASSEMBLY, LIFT, TILT, AND AUXILIARY ELECTRIC HYDRAULIC	6-52
MANUAL HYDRAULIC	6-46

TABLE OF CONTENTS (continued)

DESCRIPTION	PAGE
VEHICLE SYSTEM MANAGER	2-26
W	
WIDE TREAD KITS	12-6
WIRE HARNESS	
BACK-UP ALARM STROBE	2-186
FAN ADAPTOR - 80V	2-190
FAN ADAPTOR - 36/48V	2-192
FRONT SWITCH	2-193
FRONT SWITCH	11-106
INTERFACE FRONT/REAR LIGHTS	11-105
JUMPER	2-189
LH LIGHT WITH OVERHEAD GUARD - WITHOUT TURN SIGNALS (→ 10/2013)	2-156
LH LIGHT WITH OVERHEAD GUARD - WITH TURN SIGNAL (→ 10/2013)	2-158
LH LIGHT WITH OVERHEAD GUARD - DRIVE-THRU RACK (→ 10/2013)	2-160
LH LIGHT WITH OVERHEAD GUARD - WITH INBOARD REAR LIGHTS MOUNT (→ 10/2013)	2-162
LH LIGHT WITH OVERHEAD GUARD - WITH TURN SIGNALS (10/2013 →)	2-164
LH LIGHT WITH OVERHEAD GUARD - WITHOUT TURN SIGNALS (10/2013 →)	2-166
MAIN - 36/48 VOLT WITHOUT LIGHTS OR ELECTROHYDRAULICS	2-153
MAIN LIGHTS CHASSIS - 36/48V (→ 11/2014)	2-138
MAIN LIGHTS CHASSIS - 36/48V (11/2014 →)	2-142
MAIN LIGHTS CHASSIS - 80V (→ 11/2014)	2-146
MAIN LIGHTS CHASSIS - 80V (11/2014 →)	2-150
MAIN WITH ELECTRONIC HYDRAULICS - SHEET 1 OF 2 (→ 10/2013)	2-102
MAIN WITH ELECTRONIC HYDRAULICS - SHEET 2 OF 2 (→ 10/2013)	2-106
MAIN WITH ELECTRONIC HYDRAULICS - SHEET 1 OF 3 (10/2013 ↔ 11/2014)	2-108
MAIN WITH ELECTRONIC HYDRAULICS - SHEET 2 OF 3 (10/2013 ↔ 11/2014)	2-112
MAIN WITH ELECTRONIC HYDRAULICS - SHEET 3 OF 3 (10/2013 ↔ 11/2014)	2-116
MAIN WITH ELECTRONIC HYDRAULICS - SHEET 1 OF 3 (11/2014 →)	2-120
MAIN WITH ELECTRONIC HYDRAULICS - SHEET 2 OF 3 (11/2014 →)	2-124
MAIN WITH ELECTRONIC HYDRAULICS - SHEET 3 OF 3 (11/2014 →)	2-128
MAIN WITH MANUAL HYDRAULICS - SHEET 1 OF 3 (10/2013 ↔ 11/2014)	2-78
MAIN WITH MANUAL HYDRAULICS - SHEET 2 OF 3 (10/2013 ↔ 11/2014)	2-82
MAIN WITH MANUAL HYDRAULICS - SHEET 3 OF 3 (10/2013 ↔ 11/2014)	2-86
MAIN WITH MANUAL HYDRAULICS - SHEET 1 OF 3 (11/2014 →)	2-90
MAIN WITH MANUAL HYDRAULICS - SHEET 2 OF 3 (11/2014 →)	2-94
MAIN WITH MANUAL HYDRAULICS - SHEET 3 OF 3 (11/2014 →)	2-98
MAIN WITH MANUAL HYDRAULICS (EARLY PRODUCTION) - SHEET 1 OF 2 (→ 10/2013)	2-72
MAIN WITH MANUAL HYDRAULICS (EARLY PRODUCTION) - SHEET 2 OF 2 (→ 10/2013)	2-76
MANUAL HYDRAULICS (→ 11/2014)	2-178
MANUAL HYDRAULICS (11/2014 →)	2-179
MANUAL INTERLOCK	2-188
PARK BRAKE	2-184
RH LIGHT WITH FREEZER DISPLAY (→ 10/2013)	2-172
RH LIGHT WITH FREEZER DISPLAY - WITH TURN SIGNALS-HIGH MOUNT (10/2013 →)	2-174
RH LIGHT WITH FREEZER DISPLAY - WITH TURN SIGNALS-LOW MOUNT (10/2013 →)	2-175
RH LIGHT WITH STANDARD DISPLAY - STANDARD OPTION (→ 10/2013)	2-168
RH LIGHT WITH STANDARD DISPLAY - WITH TURN SIGNALS-HIGH MOUNT (10/2013 →)	2-169
RH LIGHT WITH STANDARD DISPLAY - WITHOUT TURN SIGNALS-LOW MOUNT (10/2013 →)	2-170

TABLE OF CONTENTS (continued)

DESCRIPTION	PAGE
SEAT WITH E-HYDRAULICS	2-134
SEAT WITH E-HYDRAULICS - WITH SEAT BELT SEQUENCE MODULE	2-136
SEAT WITH MANUAL HYDRAULICS	2-131
SEAT WITH MANUAL HYDRAULICS - WITH SEAT BELT SEQUENCE MODULE	2-132
STEERING COLUMN	2-176
SYNCHRONOUS STEERING	2-182
TURN SIGNAL	2-180

ABBREVIATIONS QUICK REFERENCE SHEET

Listed below are abbreviations used in parts manuals to denote the following expressions:

TERM	DEFINITION	TERM	DEFINITION
Amp	Amperes	FRE	Freezer Environment
AR	As Required	in.	inches
BDI	Battery Discharge Indicators	LPG	Liquefied Petroleum Gas
BWI	Brush Wear Indicator	MAP	Manifold Absolute Pressure
CE	Communicator End	mm	millimeters
CRE	Corrosive Environment	MSTS	Microprocessor Spark Timing System
D/B	Date Break	NPT	National Pipe Threads
dbA	Decibel "A" Scale	O/S	Oversize
DE	Drive End	PTO	Power Take Off
ECH	Empty Container Handler	RPM	Revolutions per Minute
ECH-3	Empty Container Handler - 3 High Stacking	S/N	Serial Number
ECH-4	Empty Container Handler - 4 High Stacking	TMM	Truck Management Module
ECH-5	Empty Container Handler - 5 High Stacking	UL Type D	Diesel-Powered Safety Rating
ECH-6	Empty Container Handler - 6 High Stacking	UL Type DS	Diesel-Powered Safety Rating
ECH-7	Empty Container Handler - 7 High Stacking	UL Type E	Battery-Powered Safety Rating
ECM	Electronic Control Module	UL Type EE	Battery-Powered Safety Rating
ECN	Engineering Change Notice	UL Type ES	Battery-Powered Safety Rating
EEPROM	Electrically Erasable Programmable Read Only Memory	UL Type G	Gasoline-Powered Safety Rating
EPA	US Environmental Protection Agency	UL Type GS	Gasoline-Powered Safety Rating
EPROM	Electrically Programmable Read Only Memory	UL Type LP	Gas-Powered Safety Rating
		UL Type LPS	LP Gas-Powered Safety Rating
		U/S	Undersize
		UL	Underwriters Laboratory
		V	Volts

HOW TO USE THE ILLUSTRATED PARTS MANUAL

This parts manual describes and illustrates assemblies, subassemblies, and detail parts needed for service replacement.

The different constructions are indicated by keys and footnotes. The callouts correspond to descriptions found on the next page.

HYSTER UNIT CODE D001 NORTH AMERICA 06/2001

TABLE OF CONTENTS

DESCRIPTION	PAGE
AIR INTAKE AND FILTER DIESEL (⇒ D/B 11/98)	3-22
AIR INTAKE AND FILTER DIESEL (D/B 11/96 ⇒)	
AIR INTAKE AND FILTER GASOLINE AND LPG	
ALTERNATOR GASOLINE, LPG, AND DIESEL	
ALTERNATOR TYPES GS, LPS, AND DS	
AUXILIARY FUNCTION TUBE TWO AND THREE STAGE FULL F	

SECTION 13 NUMERICAL INDEX

PART NO.	PAGE NO.	ITEM NO.	PART NO.	PAGE NO.	ITEM NO.	PART NO.	PAGE NO.	ITEM NO.	PART NO.	PAGE NO.	ITEM NO.
142	3-4	19	10-13	25		11-27	29	12-31	12		
12445	3-32	19	10-17	6		11-31	25	16719	3-36	5	
	3-34	1	10-27	11		11-32	37	16751	3-16	27	
			11-11	6	16485	8-4	29	16849	3-34	21	
			12-21	11		8-4	45		3-38	20	
			14	13		8-8	34	16863	3-28	17	
			12	6		9-7	9	16865	3-6	18	
			3	17		9-7	19		4-27	41	
			9	10		9-11	9	16882	9-7	30	
			23	46		9-11	17		9-11	27	
			27	46		10-9	21		10-10	36	
			26	14		10-9	28		10-13	32	
			28	14		10-13	16		11-7	24	
			50	14		11-7	19		11-9	17	

SECTIONS

- 1
- 2
- 3
- 4
- 5 BRAKE/ACC
- 6
- 7 MAST-TWO STAG
- 8 MAST-THREE ST
- 9 MAST-TWO ST
- 10
- 11

TRANSMISSION HOUSING ⇒ S/N D001H-2628

KEY:
A: Diesel
B: Gasoline and LPG

ITEM	PART NO.	DESCRIPTION	QTY	
			A	B
1	202547	Transmission	1	1
2	2023329	Transmission	1	1
3	2021670	Case	2	2
4	2023418	Bearing Cap	4	4
5	296429	Washer	4	4
6	293947	Bolt	1	1
7	2021390	Cover	2	2
8	1371656	Colter Pin	4	4
9	2021915	O-Ring	1	1
10	2021329	Plug	4	4
11	2021675	Housing	22	22
12	2021336	Pin	39	39
13	287860	Lockwasher	1	1
14	292682	Hydraulic Pump ⇒ Figure 5-3	1	1
15	2021345	Gasket	1	1
16	214364	Bolt	8	8
17	296418	Washer	1	1
18	2021388	Temperature Switch	1	1
19	2021389	Breather	9	9
20	2021383	Dipstick	9	9
21	292515	Bolt	2	2
22	136692	Nut	3	3
23	292527	Bolt	3	2
24	292531	Capscrew	4	4
25	292583	Lockwasher	4	4
26	293637	Bolt	4	4
	296420	Washer	1	1
	996403	Transmission Kit (Includes Item 7)	1	1
	996405	Transmission Kit (Includes Item 14)	1	1

This Parts Manual is divided into 11 major sections which are listed above. Quick be made by placing the right thumb on the tab of the desired section, bending the pages to the corresponding tab.

©Copy Right Date HYSTER COMPANY See Service Manual for service procedures. 5-15

HOW TO FIND THE DESIRED PART NUMBER

WHEN THE PART NUMBER AND THE NEXT HIGHER ASSEMBLY IS NOT KNOWN:

1. Determine the function and application of the part required. Turn to the Sections Page. Choose the general area of reference most likely to include the part.
2. Turn to the section you chose. Use the Section Table of Contents to determine the assembly which would normally contain the part required. Then locate the part on the assembly breakdown page.

WHEN THE PART NUMBER IS NOT KNOWN AND THE NEXT HIGHER ASSEMBLY IS KNOWN:

3. Determine the assembly the required part is used on. Turn to the Table of Contents (Page i).
4. Locate the assembly the required part is used on and turn to the page indicated for that assembly. Then locate the part on the assembly breakdown page.

WHEN THE PART NUMBER IS KNOWN:

5. Use the Numerical Index (Page 13-1) to find the part number. Turn to the page listed and locate the part as indicated by the item number.

GENERAL:

The assembly breakdowns include part numbers, descriptions, quantities required, keys and footnotes to help in selecting correct parts.

6. Parts Supersession Information. Part numbers that have this history will be displayed in the parts list in the order that they were superseded (from oldest to newest). The superseded part numbers will be shown with a line through them.

Five periods in the PART NO. column (.) indicate that the part is either *Not Serviced Separately* or there is a reference to another figure. A figure reference is denoted by a pointing hand followed by a figure number in the DESCRIPTION column (☞ Figure 10)

7. Keys are used to show two or more similar assemblies, RH and LH assembly parts, etc. Select the appropriate key, "A", "B", "C", "D", or "E" and the corresponding quantity column to find the required parts. Two periods in the QTY column (..) indicate that the part is not used for that assembly.
8. Indented descriptions under the DESCRIPTION column are used to indicate assemblies and

subparts of assemblies. In the example on the previous page, *BEARING CAP* (Item 2) is a subpart of the major assembly *CASE*.

9. Quantities shown are for one assembly. The quantities of the subpart *BEARING CAP* are indicated as two and two. This means two per *CASE* assembly.
10. Serial number breaks identify the most current parts information and are shown as follows:
 - **S/N D001H2628**
Indicates last serial number affected.
 - S/N D001H2629** →
Indicates the first serial number affected.
 - S/N D001H1553** ↔ **S/N D001H3291**
Indicates a range of serial numbers affected.

ECN numbers for pending serial numbers are shown to allow for the inclusion of the most current parts information and are identified as follows:

→ **S/N Pending Per ECN 63243**

Indicates a pending serial number for last unit affected.

S/N Pending Per ECN 63243 →

Indicates a pending serial number for first unit affected.

Date breaks are used to indicate when a change occurred but a subsequent serial number break was not recorded. This is an arbitrary date usually based on the ECN release and are identified as follows:

→ **D/B 3/00**

Indicates that a change occurred sometime within that month for the item affected.

D/B 3/00 →

Indicates that a change occurred sometime within that month for the item affected.

D/B 3/00 ↔ **D/B 4/00**

Indicates a range of production dates of the item affected.

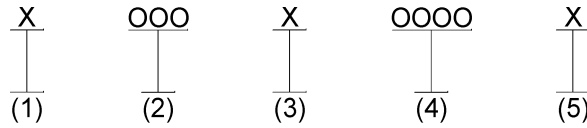
Contact your local dealer for Hyster lift trucks for serial number information for items with a ECN or a date break.

ORDERING PARTS:

When ordering replacement parts, give the unit serial number, part number, name of part and quantity required.

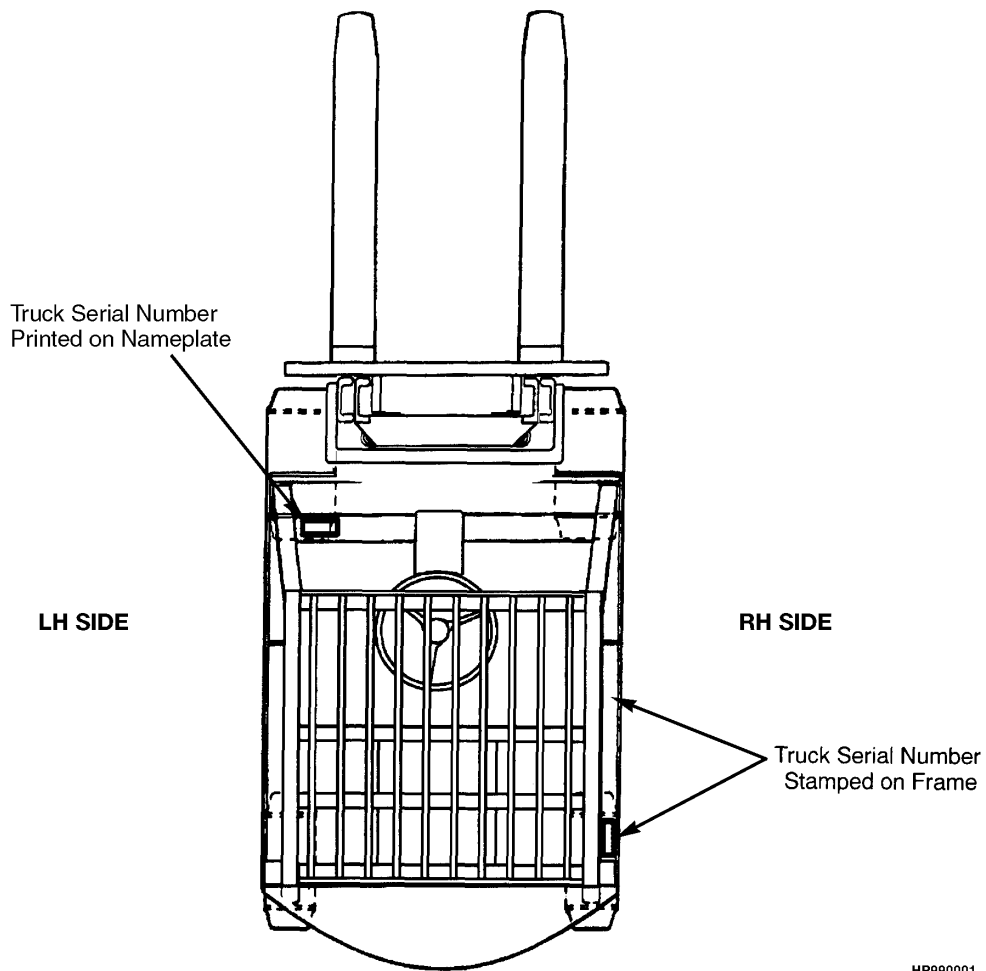
For any further information on parts, service, or ordering, consult your local dealer for Hyster lift trucks.

IDENTIFICATION OF TRUCK SERIAL NUMBERS

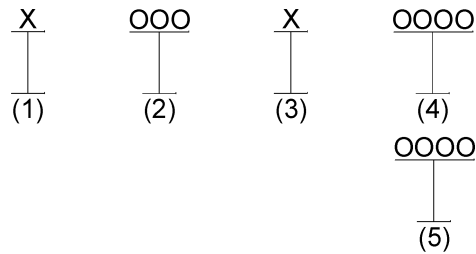


- (1) and (2) The first letter and three numbers indicate the truck unit code.
- (3) The second letter indicates the plant of manufacture.
- (4) The four or five digit number indicates the production sequence number of the truck.
- (5) The final letter indicates the year of manufacture starting with "A" in 1957, 1980, and 2003. The letters "I", "O", and "Q" will not be used.

For pending serial numbers contact your local dealer for Hyster lift trucks.



Parts referred to in this book as right or left hand parts are in accordance with the illustration above.

IDENTIFICATION OF MAST SERIAL NUMBERS

- (1) and (2) The first letter and number indicates the mast unit code.
- (3) The second letter indicates the plant of manufacture.
- (4) The four or five digit number indicates the production sequence number of the mast.
- (5) Carriage travel in millimeters stamped just below the serial number.

Mast Group identification consists of mast unit code (1) and (2) plus carriage travel (5).

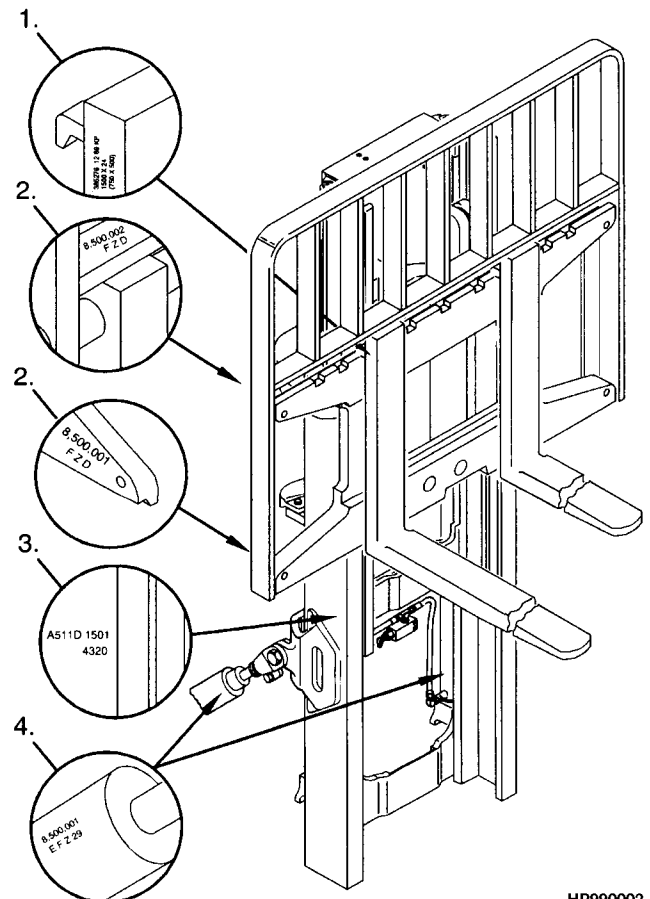
For pending production sequence numbers contact your local dealer for Hyster lift trucks.

LIFT EQUIPMENT IDENTIFICATION

1. Fork part number, capacity rating, plant code letter, and date of manufacture are stamped approximately six inches below the top of most forks.
2. The carriage group number is stamped on the right hand side of the top crossmember (pin type) or on the back of the right hand end of the bottom crossmember (hook type). A date code has two letters in line with or below the carriage group number.
3. The mast identification number has a unit code, a letter indicating the plant of manufacture, and a serial number. Underneath the production sequence number is a four digit number that indicates the carriage travel in millimeters.
4. Tilt and lift cylinder group numbers are stamped on the cylinder shell.

Always refer to the group, serial, or part number when ordering service parts.

Modification of masts and carriages by SPED (Special Products Engineering Department) are identified by a model prefix code beginning with the letter "S". contact your dealer for Hyster lift trucks for information on these assemblies.



HP990002